

# SHAD

## TERRA

ENGINEERED FOR RIDING

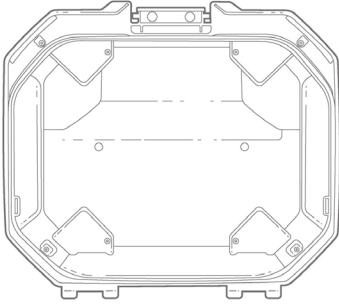


# TR46

COVER INSTALLATION USER GUIDE

83  
[WWW.SHAD.ES](http://WWW.SHAD.ES)

## SPARE PARTS COMPONENTS



**1** D1TR46T0R x 1

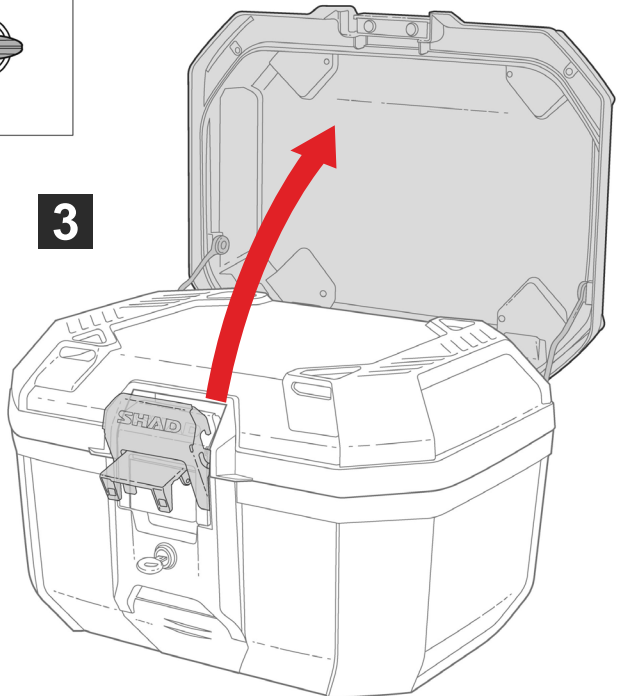
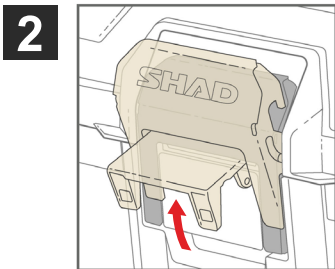
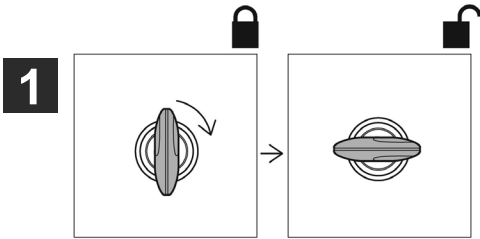
## TOOLS NEEDED

 DRILL BIT 4mm

 HINGE PIN 3mm

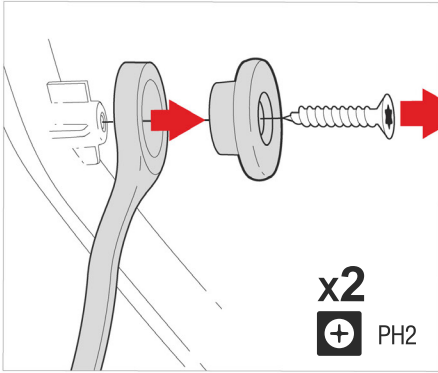
 PH2

OPEN



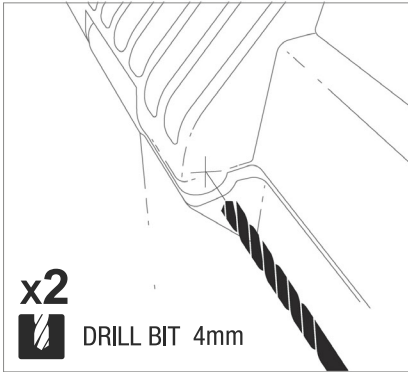
# REMOVE

1



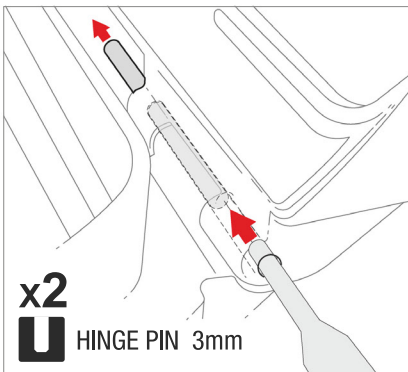
x2  
PH2

2



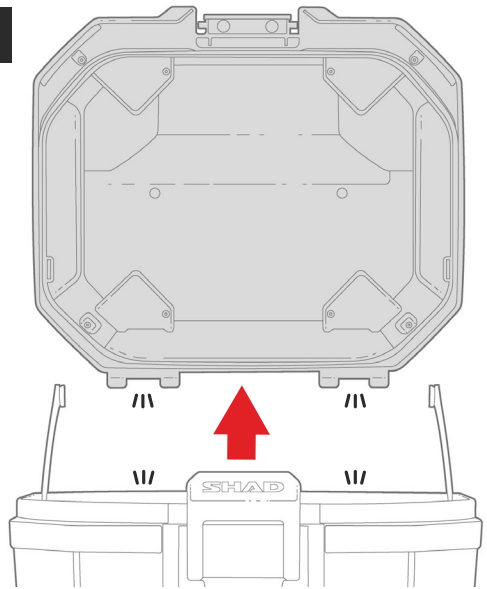
x2  
DRILL BIT 4mm

3



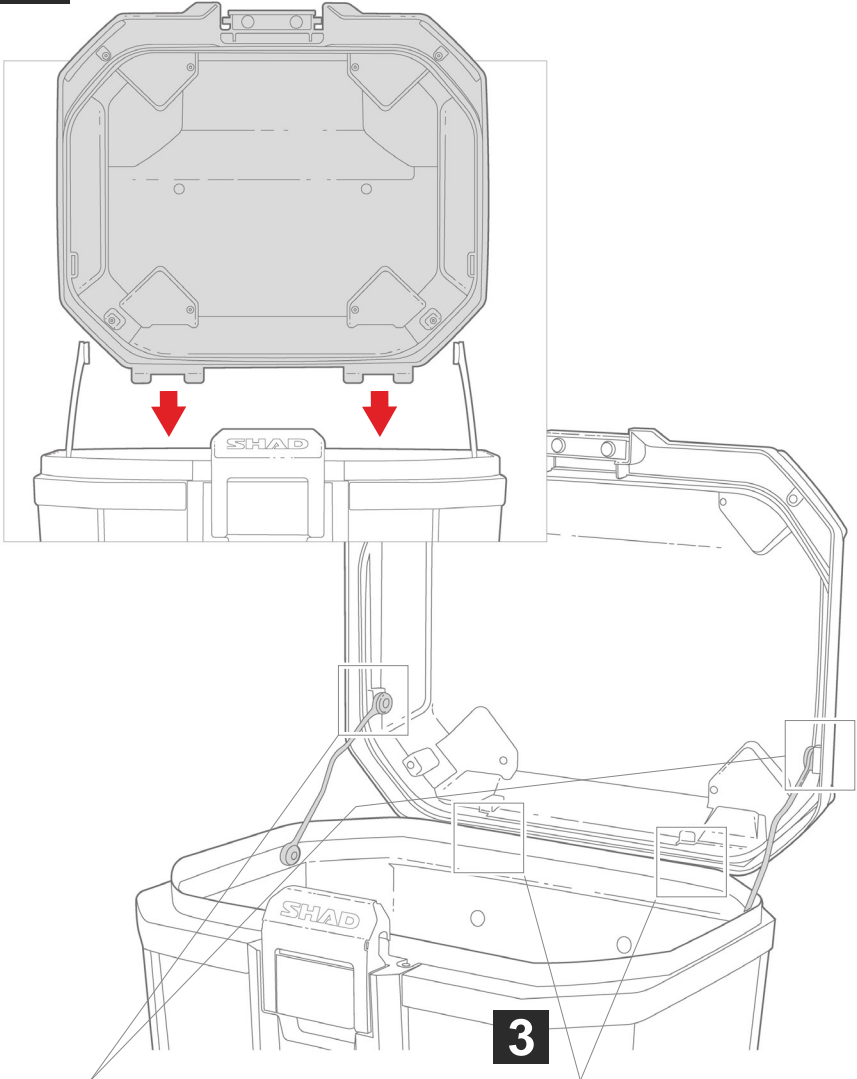
x2  
HINGE PIN 3mm

4

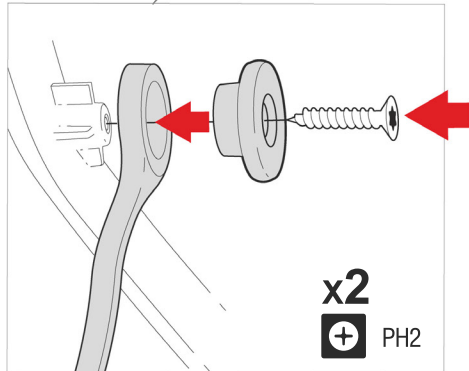


# CHANGE

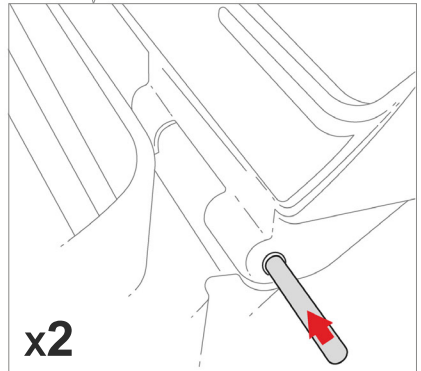
1



2



3





# SHAD

ENGINEERED FOR RIDING



WE ARE  
DOING  
GREEN



## DESIGNED TO LAST

TIMELESS. DURABLE. REPAIRABLE.  
WITH PARTS & SUPPORT TO EXTEND PRODUCT LIFE.

[WWW.SHAD.ES](http://WWW.SHAD.ES)